

ALP® R-ANCHOR™ RECESS MEMBERS

The ALP® R-Anchor™ Recess Member is specially designed for ALP® R-Anchors and typically used in retaining wall blocks. The Recess Members are bolted to the form using 1/2" coil threaded holding rods [QL131].



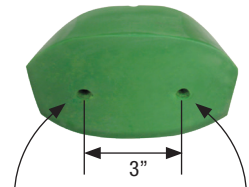
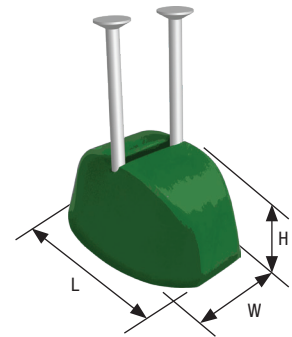
3/8" R-ANCHOR™ RECESS MEMBER

Part Number	L Length	H Height	W Width	Color
LRRM38	6-3/16"	3-1/8"	4-3/4"	Green
LRRM716	6-3/16"	3-1/8"	4-3/4"	Red

R-ANCHOR™ RECESS MEMBER (MAGNETIC)

Part Number	L Length	H Height	W Width	Color
LRRM38M	6-3/16"	3-1/8"	4-3/4"	Green
LRRM716M	6-3/16"	3-1/8"	4-3/4"	Red

- Petroleum based form release and coatings should not be used with urethane products, as they will degrade the urethane.
- Urethane products should not be used in temperatures exceeding 180°F



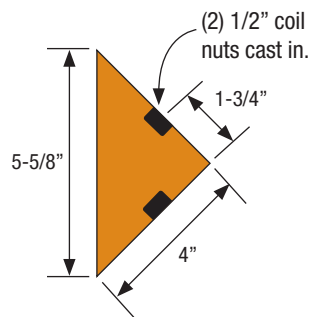
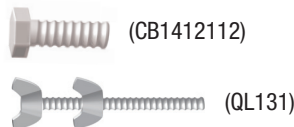
NOTE: (2) 1/2" COIL NUTS CAST IN



ALP® R-ANCHOR™ V-BLOCK RECESS MEMBER



The ALP® R-Anchor™ V-Block Recess Member is designed to use in retaining wall block forms that utilize a 4" v-groove. Recess Members are bolted to the form using (2) 1/2" coil bolts [CB1412112] or (2) 1/2" coil threaded holding rods [QL131].



SIDE VIEW

Part Number	R-Anchor Size	Color
LRRMV438	3/8"	Purple
LRRMV4716	7/16"	Orange

- Petroleum based form release and coatings should not be used with urethane products, as they will degrade the urethane.
- Urethane products should not be used in temperatures exceeding 180°F

