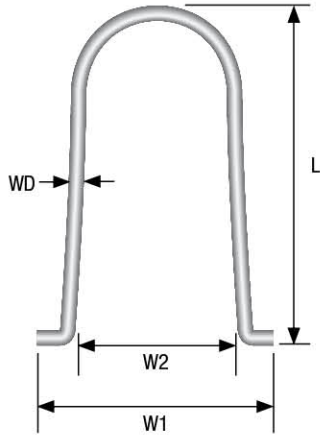
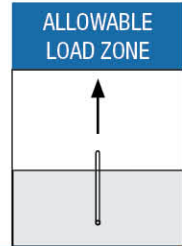


ALP® R-ANCHOR™ - STONE STRONG



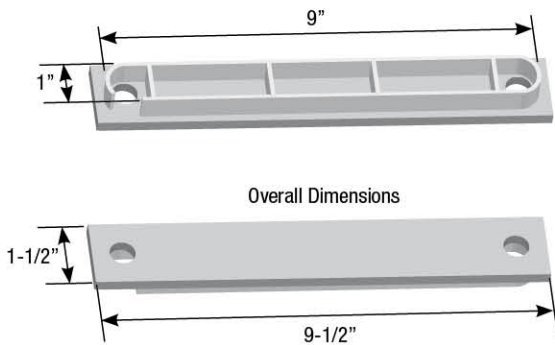
For Stone Strong retaining wall blocks. **Standard Finish is Hot-Dipped Galvanized.**



Part Number	WD - Wire Diameter	L Length	W1 Width	W2 Width	Weight Per Piece (lbs)	4:1 SWL at 4,000 PSI (lbs)
LRA581612G	5/8"	16-1/2"	11-1/2"	7-1/2"	3.60	4,500

Above capacities are based upon mechanical testing and available industry data.

ALP® R-ANCHOR™ - STONE STRONG PLASTIC LOCATOR



Part Number	Qty / Carton
PWRWAPG	250

