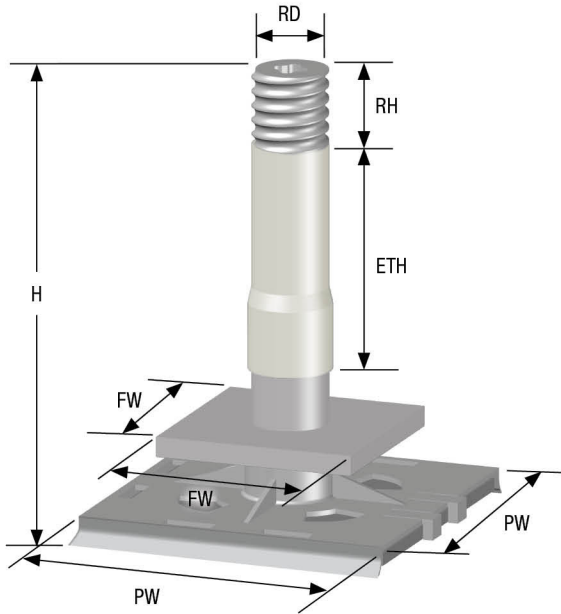


## ALP® VERSA COIL™ - LIFTING AND LEVELING SYSTEM



The ALP® Versa Coil™ System is a versatile product designed for both lifting and leveling of precast slabs. The Versa Coil system uses a coil thread which is a coarse thread that ensures quick threading of the bolt into and out of the anchor, to ensure efficient lifting and leveling of the precast slab.

Available in plain and electro-plated finishes.

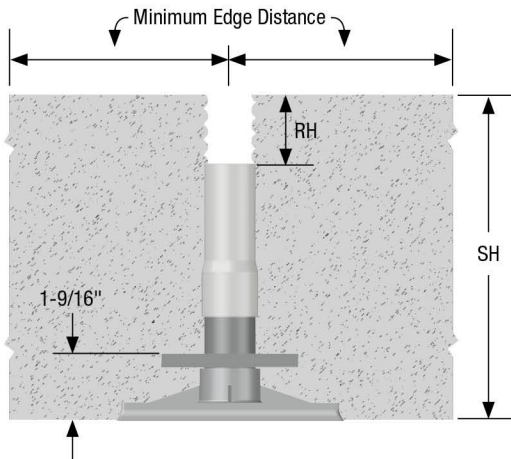
### ALP® VERSA COIL™ DIMENSIONS

Height H	Lifting Coil Thread Diameter	Base Plate Width PW	Flange Width FW	Recess Height RH	Recess Diameter RD	Extension Tube Height ETH	Anchor Ultimate Mechanical Load in Tension (lbs)	Weight per Assembly (lbs)*
8"	1"	6"	4"	1-1/2"	1-1/2"	3-3/8"	48,000	5.57
10"						5-3/8"		5.61
12"						7-3/8"		5.64

\* Without reusable plug



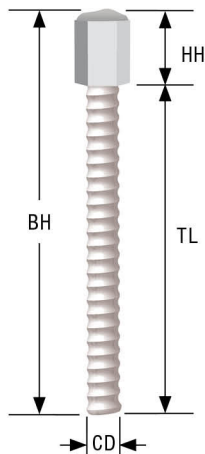
Reusable Steel Recess Plug, Part # VCRS1112



### ALP® VERSA COIL™ LOAD CHART

ALP® VERSA COIL™ LOAD CHART		Anchor Capacity in Concrete 4:1 SWL	
Slab Height SH	Recess Height RH	Minimum Edge Distance	Unreinforced Tension Load (lbs)
8"	1-1/2"	15"	6,000
10"			
12"			

- Table is based on 5,000 psi and 145 PCF concrete.
- Above capacity based upon 15" edge distance and concrete flexural failure, not a typical shear cone. A higher rated concrete capacity will be achieved with increased edge distance and a slab designed to prevent flexural bending.



### ALP® LIFTING + LEVELING BOLT DIMENSIONS/CAPACITY

Part Number	For Slab Height	Bolt Height BH	Thread Length TL	Coil Thread Diameter CD	Head Height HH	Socket Size	Ultimate Mechanical Load, Tension (lbs)	5:1 SWL (lbs)
VCLB11178	8"-9"	11-7/8"	9-1/2"	1"	2-3/8"	1-5/8"	72,000	14,400
VCLB11378	10"-11"	13-7/8"	11-1/2"					
VCLB11578	12"-13"	15-7/8"	13-1/2"					

Slab height leveling adjustment up to 3/4" using above lifting bolts in slab configurations above. A longer bolt can be used to accommodate increased leveling requirements.